



Intercooler Design and Ordering Form

Customer Info:

Name:

Company:

Address:

Address 2:

City:

Country:

State:

Zip Code:

Email:

Phone 1:

Phone 2:

Application/Vehicle Information:

Make: Model: Year:

Engine: Fuel Type :(E85, gas, etc.):

Turbo Configuration: Turbo(s) Being Used:

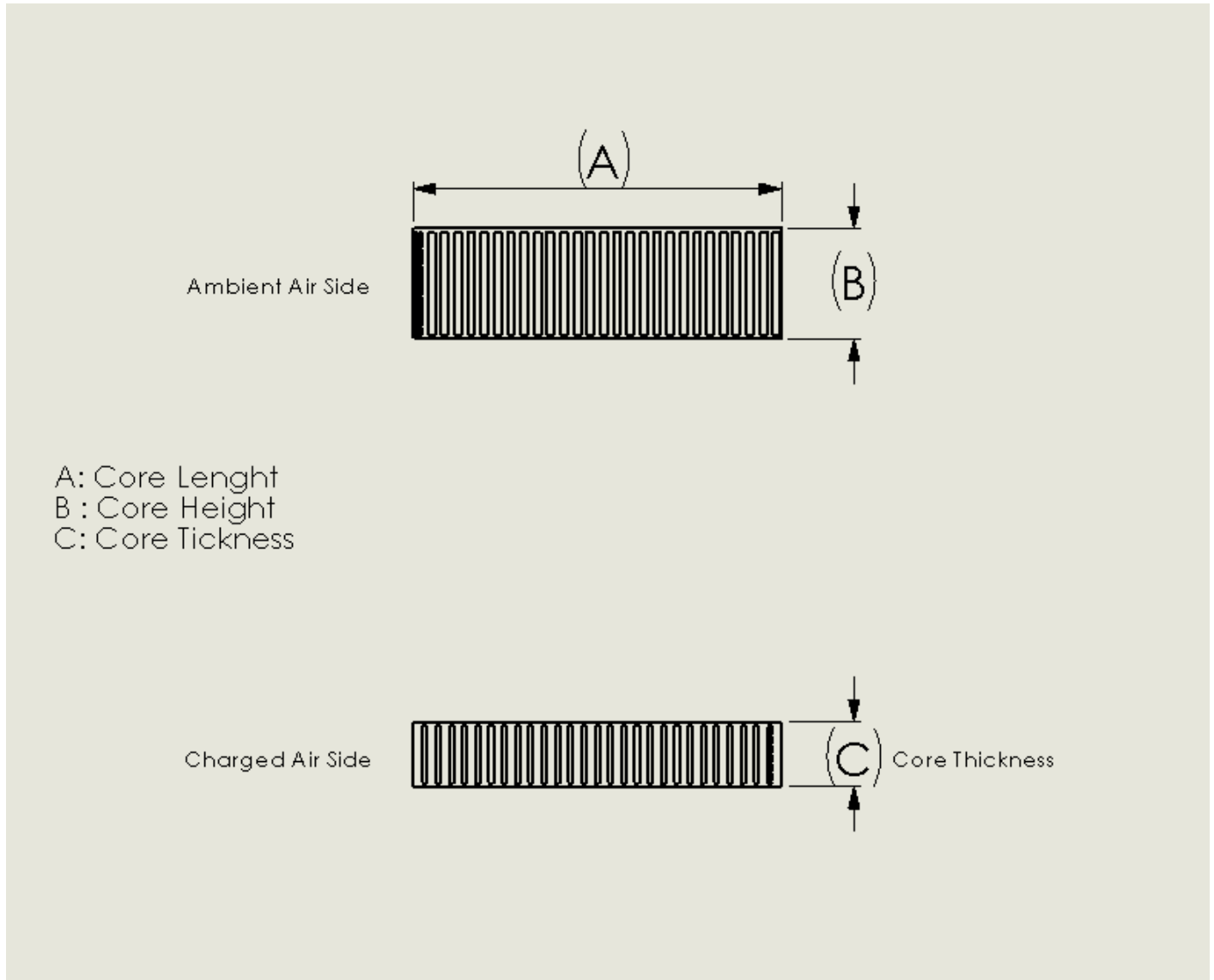
Desired Boost: (Psi) Ambient Air Temp F°: CFM:

Horizontal or Vertical: Calculated/Estimated Horse Power @ RPM:

Important Modifications or Additional Information:

Notes:

Vertical Core:



Measurements (inches):

A: Core Length

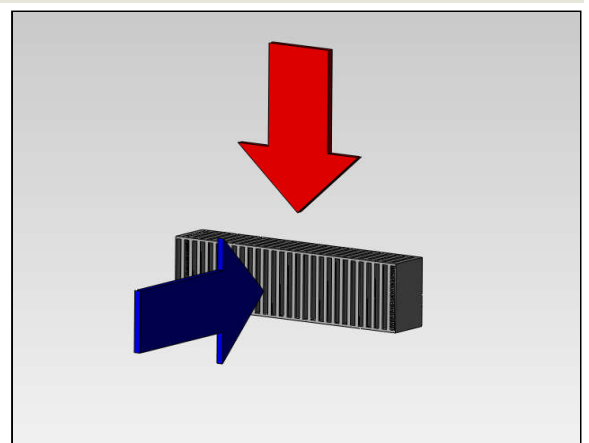
--

B: Core Height

--

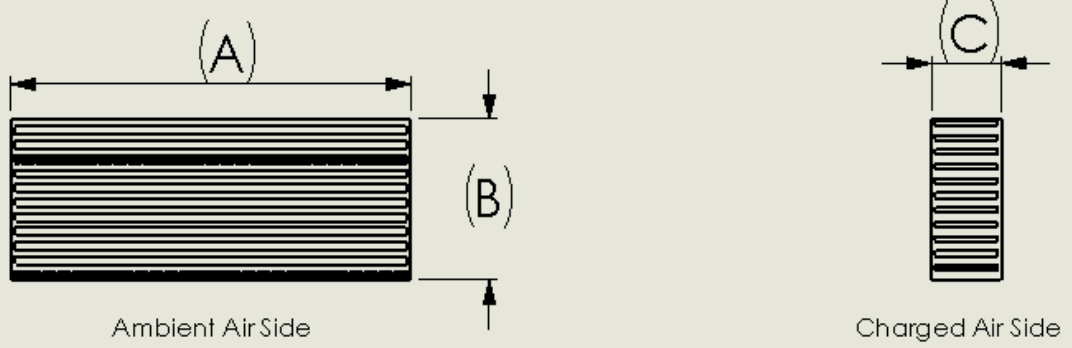
C: Core Thickness

--



Note:

Horizontal Core:



A: Core Length
B : Core Height
C: Core Thickness

Measurements (inches):

A: Core Length

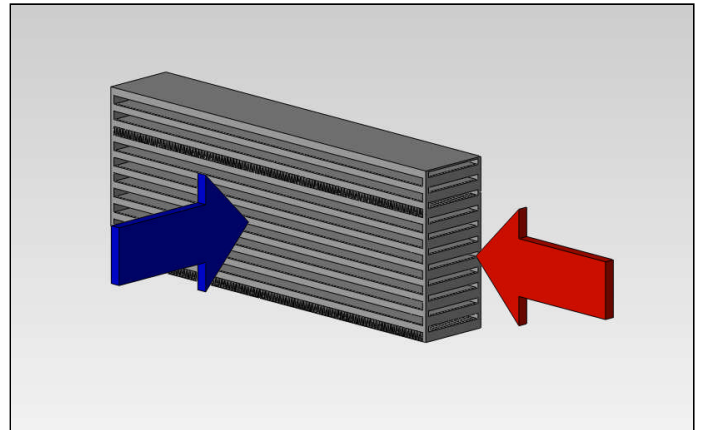
--

B: Core Height

--

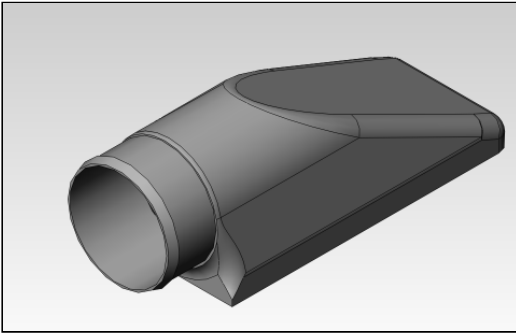
C: Core Thickness

--



Notes:

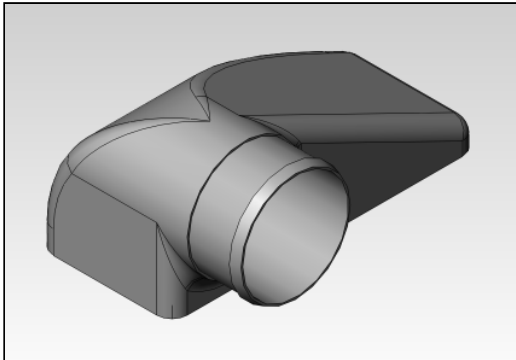
End Tank Selection:



Measurements (inches):

Inlet Diameter (outside):

Outlet Diameter (outside)



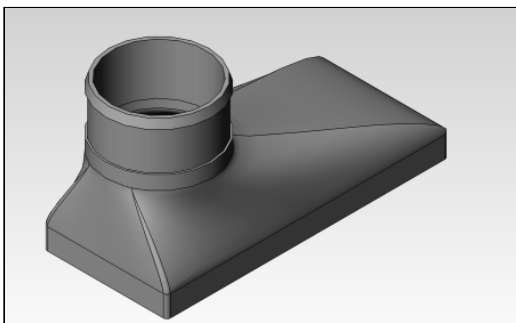
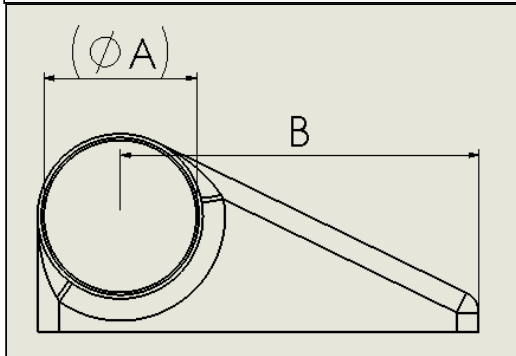
Measurements (inches):

Inlet Diameter (outside):

Outlet Diameter (outside):

Distance from the Top
(B):

Notes:



Measurements (inches):

Inlet Diameter (outside):

Outlet Diameter (outside):

Distance from the Top
(B):

Notes:

